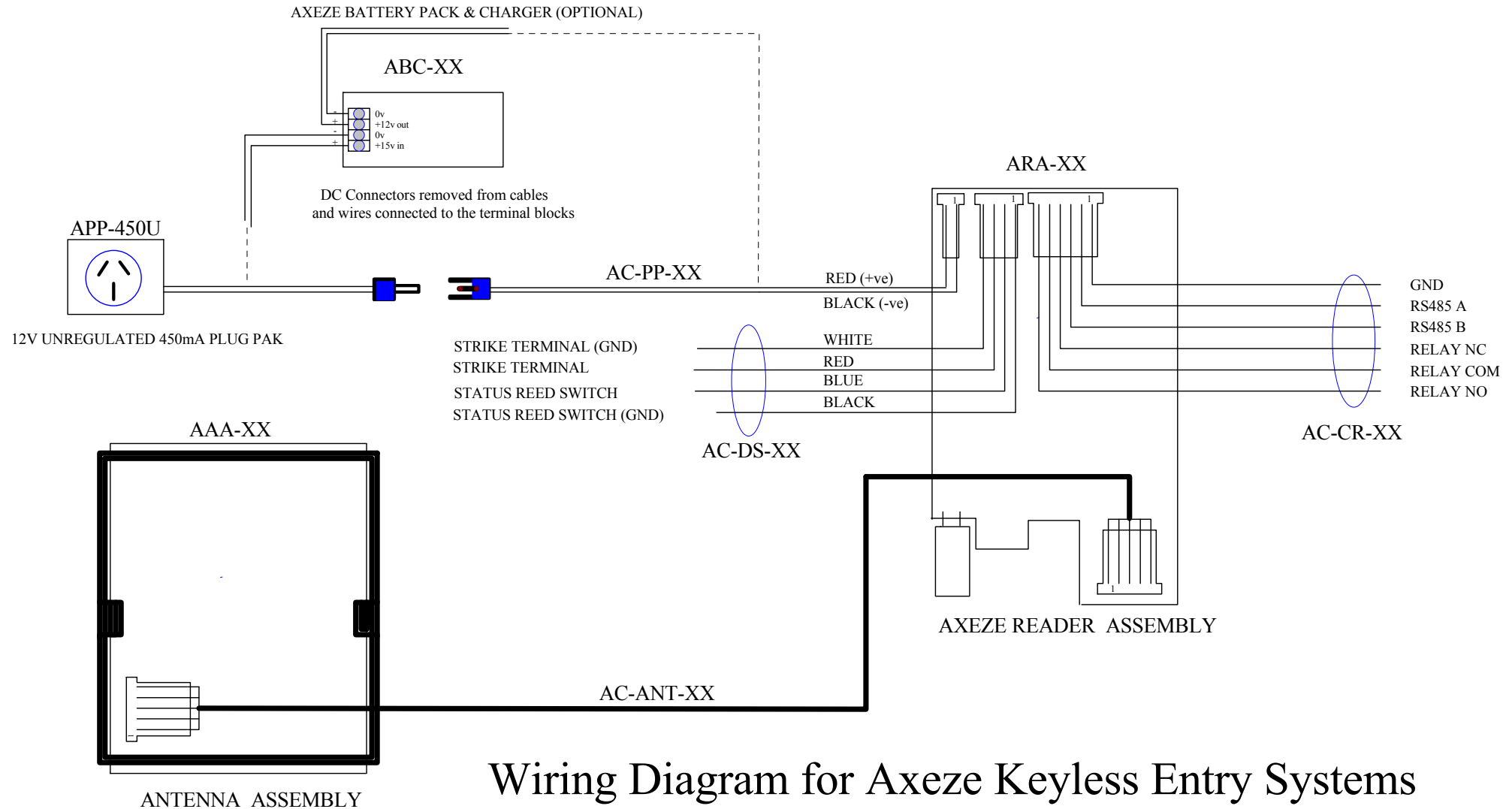


Axeze Pty Ltd

ABN 83 077 328 851
Bowden Railway Station
Station Place
Hindmarsh SA 5007

Push to Exit for the KES.

From firmware version 2.1 onwards, the Status Reed Switch input on the KES and KES-I products functions as a "Push to Exit" input when the "Sense door open" is not selected. A normally open switch is required and the door will unlock as if it was badged by a valid tag.



Wiring Diagram for Axeze Keyless Entry Systems